

LBC 3430/02 Bidirectional Sound Projector

www.boschsecurity.com



BOSCH
Invented for life



- ▶ Excellent speech and music reproduction
- ▶ Ceiling and/or wall mounting
- ▶ Robust aluminum extrusion enclosure
- ▶ Water and dust protected to IP 55
- ▶ BS 5839-8 and EN 60849 compliant

The LBC 3430/02 is a 12 W bidirectional sound projector intended for speech and music reproduction in indoor and outdoor applications. The two loudspeakers facing in opposite directions are ideally suited to applications such as subway tunnels, long corridors and shopping arcades. The sturdy, aluminum enclosure is finished in the color off-white. The sound projector is suitable for use in voice alarm systems.

Functions

Voice alarm loudspeakers are specifically designed for use in buildings where performance of systems for verbal communication announcements is governed by regulations. The LBC 3430/02 is designed for use in voice alarm systems and is compliant with British Standard BS 5839-8 and EN 60849.

The loudspeaker has built-in protection to secure that, in the event of a fire; damage to the loudspeaker does not result in failure of the circuit to which it is connected. In this way, system integrity is maintained; ensuring loudspeakers in other areas can still be used to inform people of the situation. The loudspeaker has a ceramic terminal block, thermal fuse and heat resistant, high-temperature wiring.

The sound projector is constructed from extruded aluminum and finished in off-white. The front-grills and bracket are made from aluminum to increase corrosion resistance.

Certifications and approvals

Quality assurance

All Bosch loudspeakers are designed to withstand operating at their rated power for 100 hours in accordance with IEC 268-5 Power Handling Capacity (PHC) standards. Bosch has also developed the Simulated Acoustical Feedback Exposure (SAFE) test to demonstrate that they can withstand two times their rated power for short durations. This ensures improved reliability under extreme conditions, leading to higher customer satisfaction, longer operating life, and lessens the chance of failure or performance deterioration.

Safety	acc. to EN 60065
Emergency	acc. to BS 5839-8 / EN 60849
Water and dust protection	acc. to IEC 60529, IP 55

Region	Certification
Europe	CE

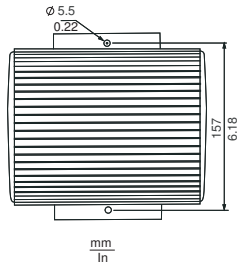
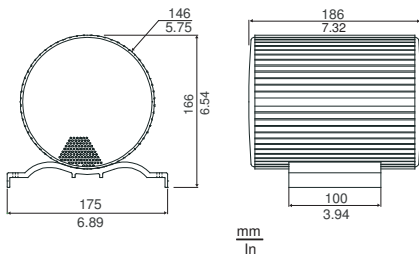
Installation/configuration notes

Mounting

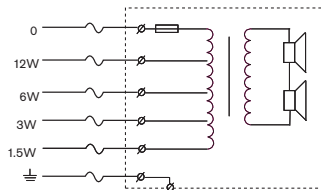
The sound projector mounts to the ceiling or to the wall in such a way, that the connection cable is not visual which is important in areas where vandalism is a potential hazard.

Power setting

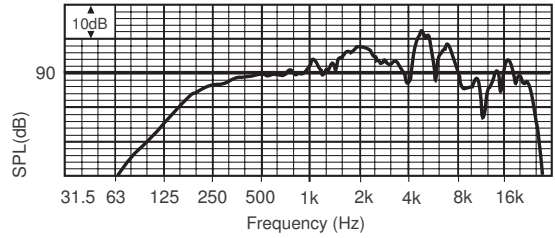
A one-meter long fire-resistant six-core connection cable is standard fitted to the loudspeaker. Each core is a different color, and is connected to one of the primary taps on the transformer.



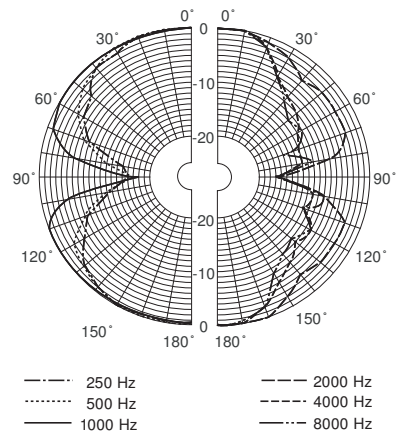
Dimensions mm / in



Circuit diagram



Frequency response



Polar diagram

*Octave band sensitivity**

	Octave SPL 1W/1m	Total octave SPL 1W/1m	Total octave SPL Pmax/1m
125 Hz	76.8	-	-
250 Hz	85.0	-	-
500 Hz	88.9	-	-
1000 Hz	91.6	-	-
2000 Hz	95.5	-	-
4000 Hz	96.4	-	-
8000 Hz	92.3	-	-
A-weighted	-	91.3	101.3
Lin-weighted	-	91.4	100.6

Octave band opening angles

	Horizontal	Vertical	
125 Hz	119	119	
250 Hz	129	129	
500 Hz	131	131	

1000 Hz	159	159	
2000 Hz	149	149	
4000 Hz	55	55	
8000 Hz	60	60	

Acoustical performance specified per octave

* (all measurements are done with a pink noise signal; the values are in dB SPL)

Technical specifications

Electrical*

Maximum power	18 W
Rated power	12 / 6 / 3 / 1.5 W
Sound pressure level at 12 W / 1 W (1 kHz, 1 m)	102 dB / 91 dB (SPL)
Opening angle at 1 kHz / 4 kHz (-6 dB)	160° / 60°
Effective frequency range (-10 dB)	180 Hz to 20 kHz
Rated voltage	100 V
Rated impedance	833 ohm
Connection	1 m fire-resistant cable

* *Technical performance data acc. to IEC 60268-5*

Mechanical

Dimensions (D x L)	146 x 186 mm (5.7 x 7.3 in)
Weight	3.3 kg (7.3 lb)
Color	White (RAL 9010)
Material	Aluminum

Environmental

Operating temperature	-25 °C to +55 °C (-13 °F to +131 °F)
Storage temperature	-40 °C to +70 °C (-40 °F to +158 °F)
Relative humidity	<95%

Ordering information

LBC 3430/02 Bidirectional Sound Projector

12 W, white (RAL 9010)

Order number **LBC 3430/02**

Represented by:

Americas:

Bosch Security Systems, Inc.
12000 Portland Avenue South
Burnsville MN 55337, USA
Phone: +1-800-392-3497
Fax: +1-800-955-6831
audiosupport@us.bosch.com
www.boschsecurity.com

Europe, Middle East, Africa:

Bosch Security Systems B.V.
P.O. Box 80002
5617 BA Eindhoven, The Netherlands
Phone: + 31 40 2577 284
Fax: +31 40 2577 330
emea.securitysystems@bosch.com
www.boschsecurity.com

Asia-Pacific:

Robert Bosch (SEA) Pte Ltd, Security
Systems
11 Bishan Street 21
Singapore 573943
Phone: +65 6571 2808
Fax: +65 6571 2699
apr.securitysystems@bosch.com
www.boschsecurity.asia

China:

Bosch (Shanghai) Security Systems Ltd.
201 Building, No. 333 Fuquan Road
North IBP
Changning District, Shanghai
200335 China
Phone +86 21 22181111
Fax: +86 21 22182398
www.boschsecurity.com.cn

America Latina:

Robert Bosch Ltda Security Systems Division
Via Anhanguera, Km 98
CEP 13065-900
Campinas, Sao Paulo, Brazil
Phone: +55 19 2103 2860
Fax: +55 19 2103 2862
al.securitysystems@bosch.com
www.boschsecurity.com